

# IR61-KA2

## ANNUNCIATOR RELAY

DEMA proudly presents the users and modern networks a solid alternative for annunciating duties with IR61-KA2; with the state-of-art physical and functional technology for use in LV, MV or HV facilities; and provides the users numerous assembly, commissioning, operating and servicing advantages as well as the lowest total cost of ownership.

DEMA IR61-KA2 is the enhanced sequel to DEMA IR61-KA1 model, featuring several electrical, mechanical and dimensional improvements, and have been presented to service under the guarantee of ISO 9001:2015 Quality Assurance System.



### TECHNICAL SPECIFICATIONS

<b>Nominal Auxiliary Supply Voltage (U<sub>aux n</sub>)</b>	(24 / 48 / 110 / 220) V <sub>DC</sub>
<b>Operational Supply Voltage Range</b>	+%15 U <sub>r-aux</sub> / -%15 U <sub>r-aux</sub>
<b>Stand-by Power Consumption</b>	0W
<b>Maximum Power Consumption, excl. horn feed</b>	max.16 W (572 mA / 24 V <sub>DC</sub> model) max.18 W (322 mA / 48 V <sub>DC</sub> mode) max.24 W (189 mA / 110 V <sub>DC</sub> model) max.42 W (166 mA / 220 V <sub>DC</sub> model)

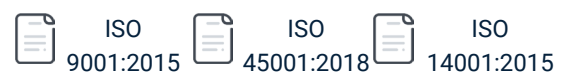
### APPLICATION AREAS



### SPECIFICATIONS

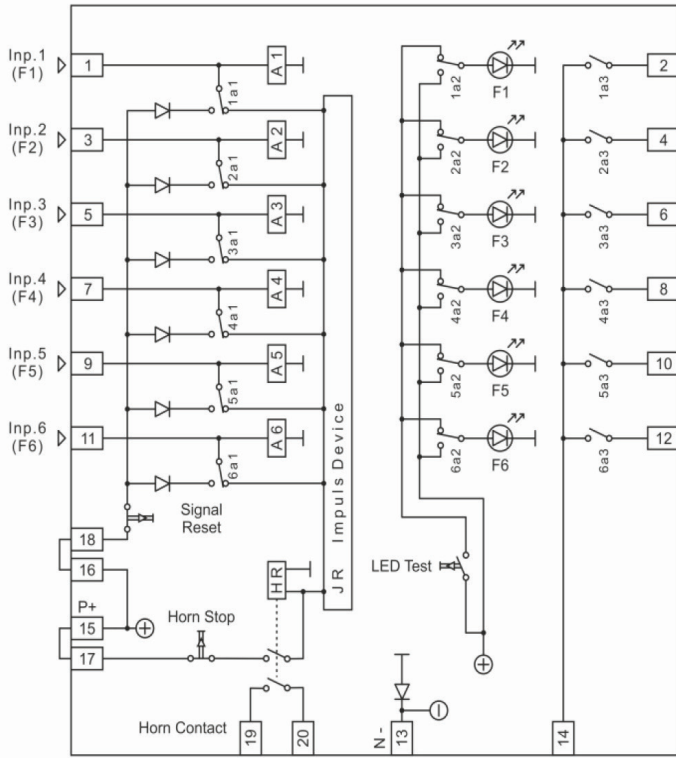
- 6 independent annunciator inputs and outputs.
- Software for annunciator labeling for PC printers.
- Annunciator label changeability.
- Extremely low auxiliary burden
- LED indicators with 1,000,000 h MTBF and extreme brightness for easier notification.
- LED testing function.
- Horn output with LED indication.
- Horn stop function.
- Inputs for external horn stopping and resetting.
- IP52 buttons integrated on the cover.
- Precision manufacturing.
- Draw-out system / removable inner unit.
- Unbreakable protective earth circuit continuity.
- New generation casing with IP52 front side protection, IP20 rear side protection.
- Expert technical crew and matchless customer support.

### CERTIFICATES

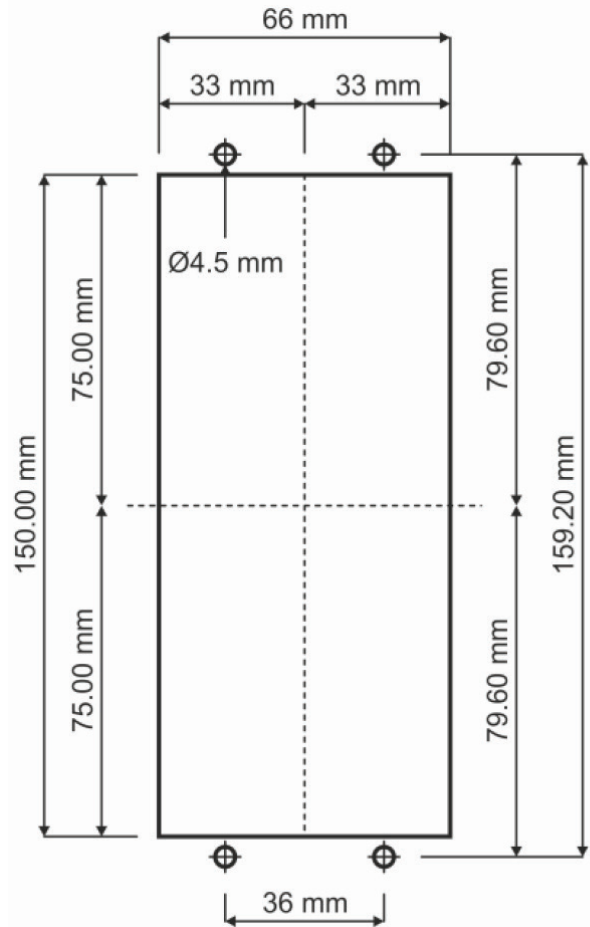


# IR61-KA2 ANNUNCIATOR RELAY

## IR61-KA2 CIRCUIT DIAGRAM



## PANEL CUTTING DIMENSIONS



## IR61-KA2 DIMENSIONS

